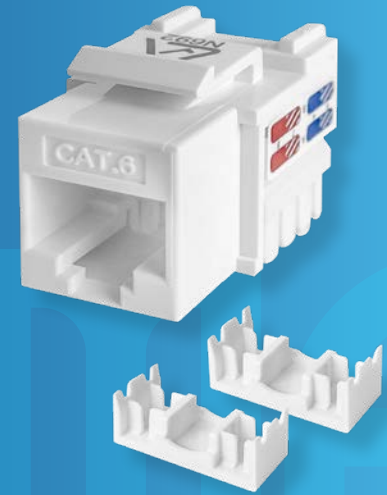


Cat 6 Keystone Jack

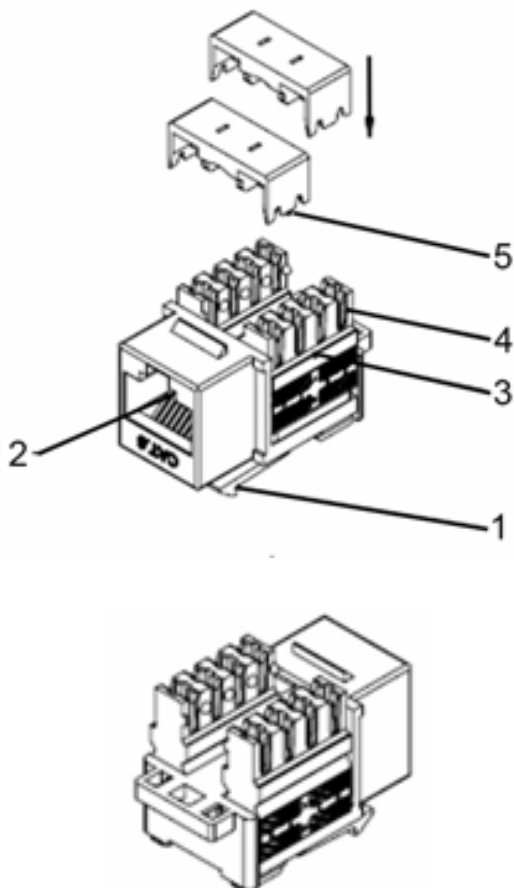
P4518, P4518-20, P4518-50



FEATURES

- Suitable for use with keystone wall plates, surface boxes and patch panels.
- Can also be fitted to Australian HPM and Clipsal plates by using an adaptor.
- Terminated with 110 or Krone impact tool. Combined T568A & T568B colour coding for easy installation.
- Design incorporates loop for cable management.
- Available in individual Datamaster® jars available in 20 and 50 which include a bonus safety chassis.

MATERIAL SPECIFICATIONS



DESCRIPTION

1	Plastic housing: ABS + PC, UL 94V - 0
2	RJ45 contact material and finish
2.1	Phosphor bronze with 50 - 60µ" nickel plating
2.2	Contact area: min 3mm 50µ" gold plating
3	IDC Housing: PC UL 94V - 2
4	IDC terminal material and finish
4.1	Phosphor Bronze with 50µ" Tin/lead Plated over 50 - 60µ" nickel plating
4.2	110 & Krone Tool Compatible
4.3	For 22-26 AWG solid wire
5	IDC Cap: ABS UL 94 - HB

To view Access' extensive ranges go to: www.accesscomms.com.au

Sydney (Head Office)
Brisbane Sales
Melbourne Office
Adelaide Office

Unit 1, 29 Prince William Drive, Seven Hills NSW 2147
28 The Gateway, Broadmeadows VIC 3047
71 Anzac Highway, Ashford SA 5035

Phone: (02) 9414 8888
Phone: (07) 3308 5555
Phone: (03) 9330 8333
Phone: (08) 8338 5540

sales@accesscomms.com.au
brisbane@accesscomms.com.au
melbourne@accesscomms.com.au
adelaide@accesscomms.com.au

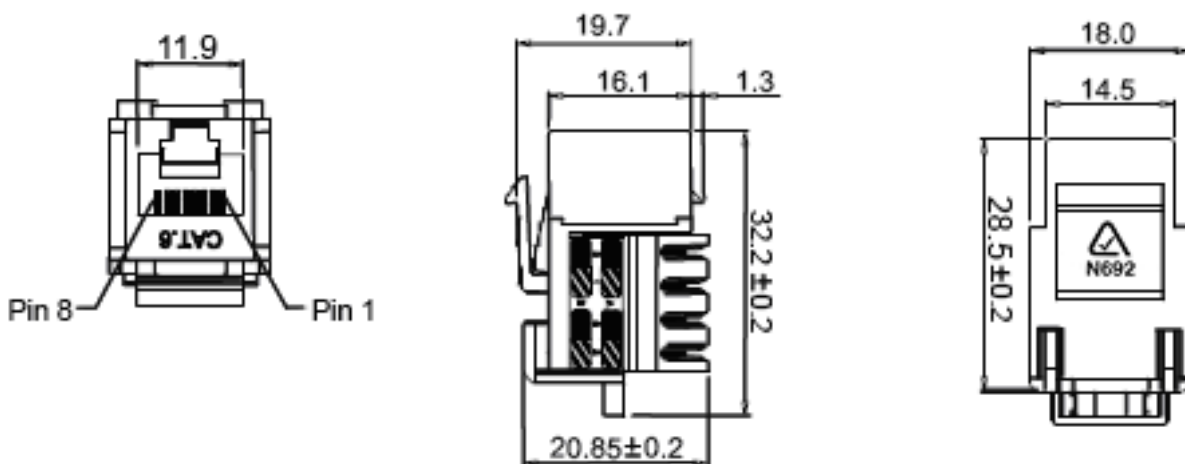
Cat 6 Keystone Jack

P4518, P4518-20, P4518-50

PERFORMANCE SPECIFICATIONS

1	INSERTION FORCE : 900 grms for 8 Seconds
2	RETENTION STRENGTH : 7.7kgs between Jack & Plug
3	OPERATING TEMPERATURE : - 40°C to 80°C
4	DURABILITY
4.1	JACK : 750 cycles Plug - Jack mating & un-mating test. Insertion cycles at 2 cycles / minute max. Contact Resistance Test Per 100 Cycles.
4.2	IDC : Max 200 Punching Times
5	CAT-6 Performance is compliant with standard ANSI / TIA / EIA 568 B.2-1

MEASUREMENT SPECIFICATIONS



To view Access' extensive ranges go to: www.accesscomms.com.au

Sydney (Head Office)
Brisbane Sales
Melbourne Office
Adelaide Office

Unit 1, 29 Prince William Drive, Seven Hills NSW 2147
28 The Gateway, Broadmeadows VIC 3047
71 Anzac Highway, Ashford SA 5035

Phone: (02) 9414 8888
Phone: (07) 3308 5555
Phone: (03) 9330 8333
Phone: (08) 8338 5540

sales@accesscomms.com.au
brisbane@accesscomms.com.au
melbourne@accesscomms.com.au
adelaide@accesscomms.com.au