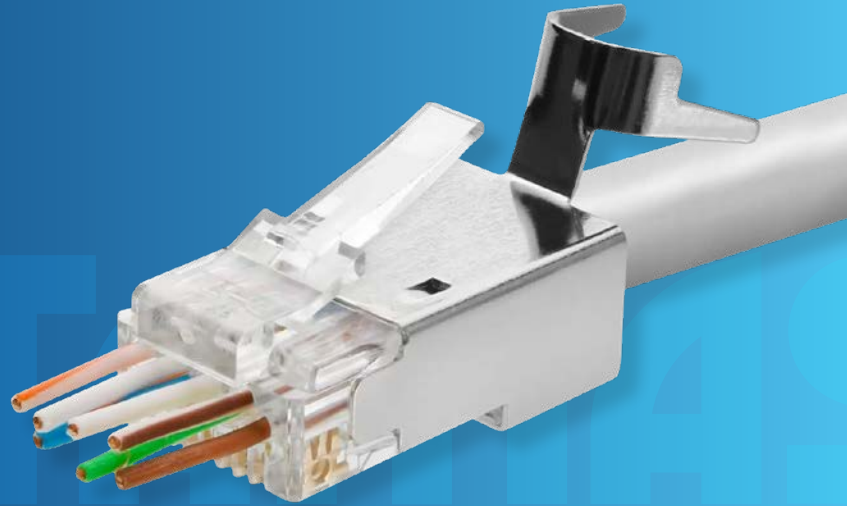


Quick Term Cat6a Modular Plugs

P2178QTUJ

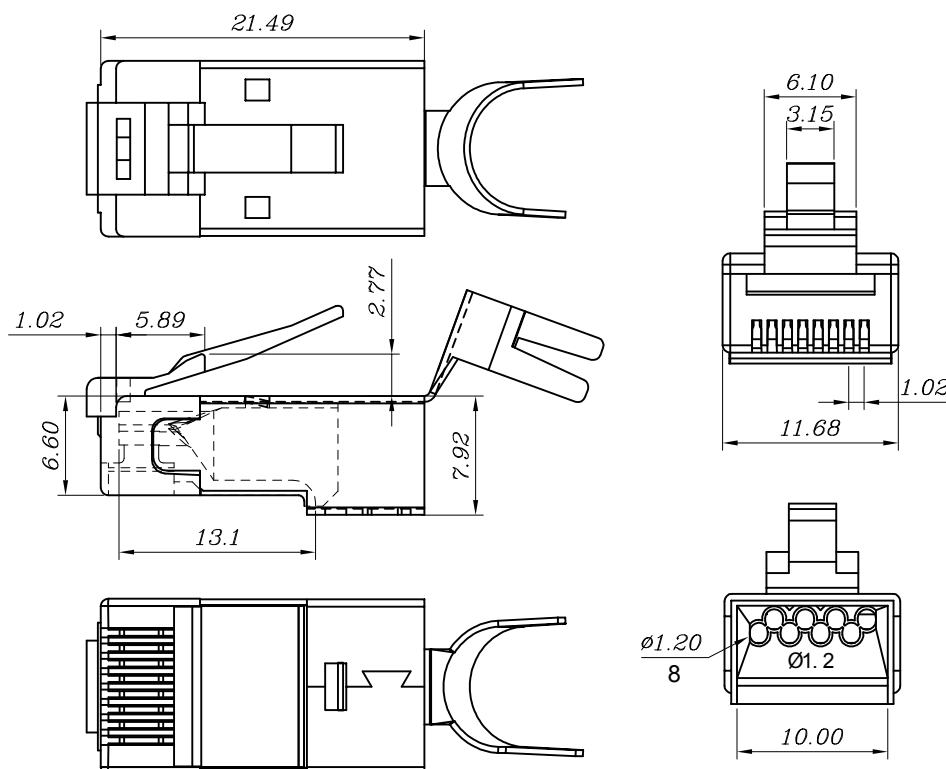


FEATURES

The Datamaster® Quick Term Cat6A connectors, meticulously crafted to meet the highest standards. These connectors are RoHS compliant, follow FCC Part 68 standard, and have successfully passed reliability tests based on IEC 60603-7 standards. Additionally, they are UL Certified for enhanced peace of mind..

CAT#	TYPE	CONDUCTOR TYPE	QUANTITY	PACKAGING
P2178QTUB20	8P8C	Solid & Stranded	20 Pieces	Bag
P2178QTUJ50	8P8C	Solid & Stranded	50 Pieces	Jar

DESIGN & CONSTRUCTION



To view Access' extensive ranges go to: www.accesscomms.com.au

Sydney (Head Office)
Brisbane Sales
Melbourne Office
Adelaide Office

Unit 1, 29 Prince William Drive, Seven Hills NSW 2147
28 The Gateway, Broadmeadows VIC 3047
71 Anzac Highway, Ashford SA 5035

Phone: (02) 9414 8888
Phone: (07) 3308 5555
Phone: (03) 9330 8333
Phone: (08) 8338 5540

sales@accesscomms.com.au
brisbane@accesscomms.com.au
melbourne@accesscomms.com.au
adelaide@accesscomms.com.au

Quick Term Cat6a Modular Plugs

P2178QTUJ

ELECTRICAL SPECIFICATIONS

UL Applications	250 Volts AC Max at 2 AMPS
Dielectric Withstanding Voltage	1000V AC
Insulation Resistance	100 MΩ
Termination	Resistance 20m Ω Max after environmental testing

MATERIAL SPECIFICATIONS

Housing	Polycarbonate UL 94V-0 or UL94V-2
Colour	Transparent
Contact Blade	Copper alloy
Conductor	Stranded and solidwire, 23AWG, 24AWG, 26 AWG

MECHANICAL SPECIFICATIONS

Cable to Plug Tensile Strength	20 pound Min
Durability	200 Mating Cycles

COMPLIANCE

RoHS compliant
Conforms to IEC 60603-7
UL certified